

# Instructions **köglis** for use of Allround Swing rockers



## Scope of supply:

A 2 x	
B 4 x Fleece strip, 40 x 700 mm	
C 4 x Wooden wedge, 50 x 50 mm	

## Special accessories:

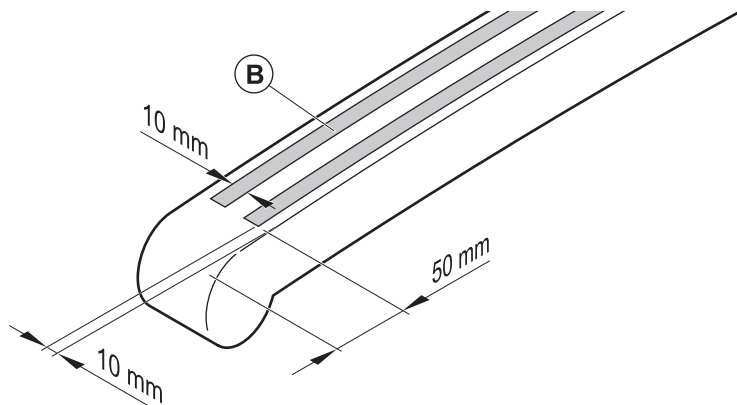
D 2 x	
E 4 x Wood screw, 4 x 20 mm	
F 2x Holder, 25 mm	
G 4x Wooden block, 50 x 50 x 50 mm	



The products that you wish to set into rocking motion with **köglis** Allround Swing rockers must be designed so that they can safely stand between the lateral outer guides of the runners.

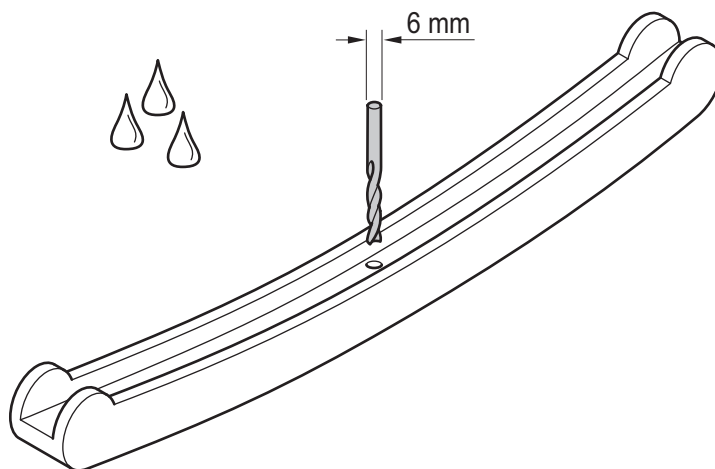
The products should be mounted centrally on the rockers.

For **indoor** use on hard floors (e.g.: tiles, parquet, etc.) we recommend that you fit the fleece strips (1) that come with the rockers to the **köglis** Allround Swing. To ensure optimum hardening of the glue, the system should only be used after 24 hours.

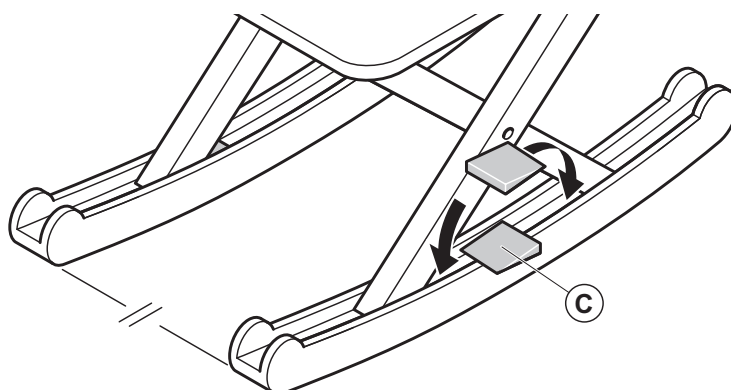


**köglis** Allround Swing rockers are untreated and should therefore be protected against rain.

For **outdoor** use we therefore recommend that you apply an additional, commercial wood protection coating against humidity and provide a bore of  $\varnothing 6$  mm at the center of the **köglis** Allround Swing in order to allow water to drain.



Align the **köglis** Allround Swing rockers in parallel and, if required, stabilize the furniture using the wedges (2) that are included in the scope of supply.



# **köglis** Allround Swing rockers can be used for the following products only:

## **Armchair or sofa**

Use only seating furniture that meets the following requirements:

Distance between legs that are to be mounted on the rockers: at least 50 cm

Height of the unloaded seat: not more than 45 cm

Angle of the unloaded back rest from the vertical: not more than 25°

Weight: at least 25 kg per seat

## **Children's bed**

Use only children's beds, whose outer faces of the lateral parts do not stand out from the outer edges of the legs.

The bottom of the bed must be set to the lowest height. During rocking, take care that arms or legs of the child are not outside the railing to prevent the risk of squeezing under the rockers.

## **Play pen**

Use only play pens, whose outer faces of the lateral parts do not stand out from the outer edges of the legs.

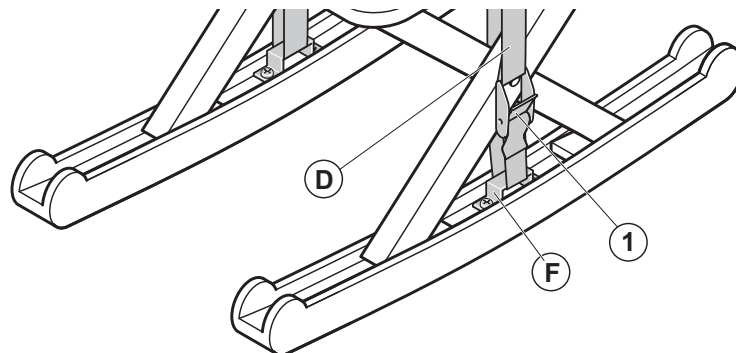
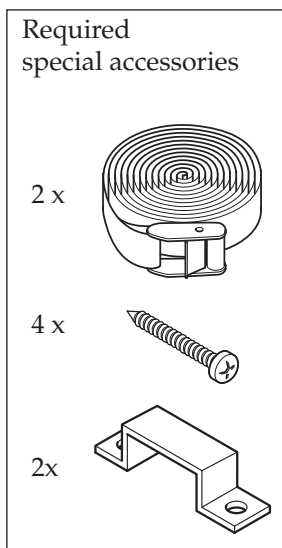
If the bottom can be height-adjusted, set it to the lowest height.

During rocking, take care that arms or legs of the child are not outside the railing to prevent the risk of squeezing under the rockers.

## **Folding chair, chair and baby high chair (only with additional support)**

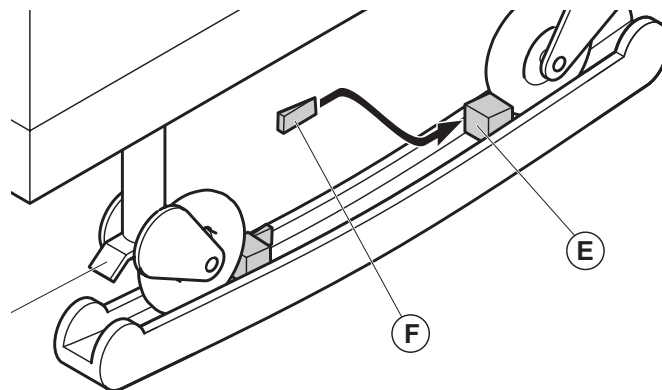
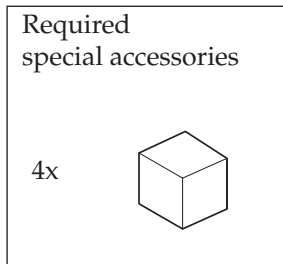
Folding chairs may be used, the chair legs of which run from a joint under the arm rest diagonally outwards down to the floor.

For these chairs, belts with ratchet buckles are required. The bores for brackets (F) are to be pre-drilled with a diameter of 3 mm and 20 mm deep. To achieve complete stabilization, draw belts (D) through the holders, connect them with the chair and tighten the ratchet buckle (1) (hand tight).



## Wheelchairs and home care beds

Use special accessories (G) for reasons of stability. Place the wheelchair or the home care bed onto the **köglis** Allround Swing. Fix the wheels by means of the holding brake (2). Press the wooden blocks (G) against the wheels and secure them against shifting by means of the wedges (C).



## Baby carriages, bassinets

To achieve stability use special accessories (D,E, F and G). Place the baby carriage or bassinet onto the **köglis** Allround Swing. Fix the wheels by means of the holding brake (1). Press the wooden blocks (G) against the wheels and secure them against shifting by means of the wedges (C). For baby carriages and bassinets, belts with ratchet buckle are additionally required. Pre-drill the bores for the holders (F) with a diameter of 3 mm and 20 mm deep. To provide complete stability, draw the belts (D) through the holders, connect them with the chair and tighten the ratchet buckle (2) (hand tight).

